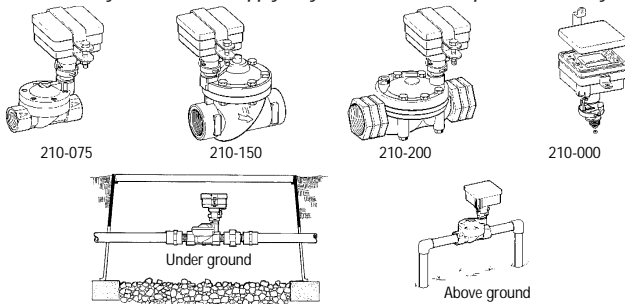


- After programming, make sure that the cover is tightly sealed.
- Close moisture guard bracket. There should be approximately 3/4" between upper and lower portions of bracket. Close bracket. Insert bolt (not included) and hand tighten.
- Shut off main water supply.
- Install valve directly to pipe. (Make sure manual lever is in auto center position).
- Turn the main water supply on.

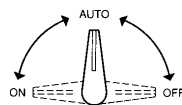
NOTE: Make sure when you wrap fittings with teflon tape, that no excess gets into internal assembly.

NOTE: When you turn water supply on your controller will open momentarily.



MANUAL OPERATION

TO OPEN the valve manually – turn the lever to the left.
TO CLOSE the valve manually – turn the lever to the right.
REMEMBER – To operate the controller automatically, the lever must always be in the middle (AUTO) position.
Manual operation, to OPEN, or CLOSE, may also be used during the Automatic program.



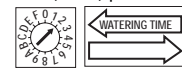
PROGRAMMING

NOTE: The controller can be used to control one valve. While in the process of programming, the valve will open and close.

WATERING PROGRAM – IMMEDIATE START

Example: 10 minutes of watering every 2 days

- Make sure that the “manual operation lever” is in the middle (AUTO) position and that the batteries are removed. Wait 30 seconds.
- Point the “watering time” selector to the required setting (e.g. 10 min. – position 2).



Position	1	2	3	4	5	6	7	8	9	A	B	C	D	E	F
Watering Time	5	10	15	30	45	1	1.5	2	3	4	5	6	8	10	12
	minutes					hours									

- Point the “watering cycle” selector to the required setting (e.g. for once every 2 days – position 7)



Position	0	1	2	3	4	5	6	7	8	9	A	B	C	D	E	F
Watering Cycle	45	90	3	6	12	1	2	3	4	5	6	7	10	14		
	min.		hours			days										

- Insert two fully charged 9 volt alkaline batteries (Note + and – symbols). Wait 10 seconds.

Wait approximately 10 seconds after inserting the batteries before continuing onto step 5.

- Press the “operating button” beneath the controller **ONCE** to start watering. (You will hear a “click”.) This becomes your start time.
 - From now on the valve will open automatically in accordance with the program, for 10 minutes every 2 days at the same time.

NOTE: The “watering time” length can be changed even after running the program, by changing the “watering time” selector according to the table.

NOTE: The watering cycle length can be changed at any time by moving the selector to a new position. See #3 of Helpful Hints.

WATERING PROGRAM – DELAYED START

Example: 10 minutes of watering, once every 2 days, starting with a 6 hour delay.

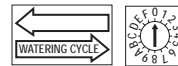
- Make sure that the “manual operation lever” is in the middle (AUTO) position and that the batteries are removed. Wait 30 seconds.
- Point the “watering time” selector to the required setting (e.g., 10 minutes – position 2).



Position	1	2	3	4	5	6	7	8	9	A	B	C	D	E	F
Watering Time	5	10	15	30	45	1	1.5	2	3	4	5	6	8	10	12
	minutes					hours									

- Insert two fully charged 9 volt alkaline batteries (Note + and – symbols). Wait 10 seconds.

- Set the “watering cycle” selector to the “delay position” (0).



Position	0	1	2	3	4	5	6	7	8	9	A	B	C	D	E	F
Watering Cycle	45	90	3	6	12	1	2	3	4	5	6	7	10	14		
	min.		hours			days										

- Push operating button (beneath unit) HOLD, and release after hearing the number of clicks representing the number of hours DELAY required. (6 clicks = 6 hour delay.) (If the number of hours selected is an odd number, an additional click will be heard after a few seconds, this will ensure that the valve will be turned off.) Maximum delay: 48 hours.



- Turn the “watering cycle” selector to the required setting (e.g. for once every 2 days – position 7).

Position	0	1	2	3	4	5	6	7	8	9	A	B	C	D	E	F
Watering Cycle	45	90	3	6	12	1	2	3	4	5	6	7	10	14		
	min.		hours			days										

- In six hours time, the controller will start watering for a period of 10 minutes, regularly once every 2 days.

NOTE: The “watering time” length can be changed even after running the program, by changing the “watering time” selector according to the table.

NOTE: The watering cycle length can be changed at any time by moving the selector to a new position. See #3 of Helpful Hints.

WATERING PROGRAM – ONE-TIME OPERATION

Example: 30 minutes of watering, once only, starting with a 10 hour delay.

- Make sure that the “manual operation lever” is in the middle (AUTO) position and that the batteries are removed. Wait 30 seconds.
- Point the “watering time” selector to the required setting (e.g. 30 minutes – position 4)



Position	1	2	3	4	5	6	7	8	9	A	B	C	D	E	F
Watering Time	5	10	15	30	45	1	1.5	2	3	4	5	6	8	10	12
	minutes					hours									

- Insert two fully charged 9 volt alkaline batteries (Note + and – symbols). Wait 10 seconds.

- Set the “watering cycle” selector to the “delay position” (0).



Position	0	1	2	3	4	5	6	7	8	9	A	B	C	D	E	F
Watering Cycle	45	90	3	6	12	1	2	3	4	5	6	7	10	14		
	min.		hours			days										

- Push operating button (beneath unit) HOLD, and release after hearing the number of clicks representing the number of hours DELAY required. (10 hours = 10 clicks.) Maximum delay: 48 hours. (If the number of hours selected is an odd number, an additional click will be heard after a few seconds, this will ensure that the valve will be turned off.)

- Turn the “watering cycle” selector to the “ONCE” position (F).



Position	0	1	2	3	4	5	6	7	8	9	A	B	C	D	E	F
Watering Cycle	45	90	3	6	12	1	2	3	4	5	6	7	10	14		
	min.		hours			days										

- In 10 hours time, the controller will start watering for a period of 30 minutes one-time only.

HELPFUL HINTS & ADDITIONAL INFORMATION

- You may get a manual cycle at any time by pressing the program button once. Your valve(s) will operate one time for the length of time you have programmed and then go back to the normal program.
- To change complete program, remove batteries for 20 seconds and start again from step 1.
- You may change the watering cycle at any time by moving the watering cycle selector to a new setting. This does not affect the start time or watering time settings. The cycle between waterings must always be greater than the actual watering time.
- If you are not using your DIG controller for long periods of time, remove batteries and replace cover securely. When you replace batteries, you will have to reprogram.
- All DIG controllers can be programmed in the comfort of your home or office and installed at a later date. No water pressure is required.
- At any time you can shut your valve by turning the manual lever to the off position. This overrides your program. To return to normal program, turn manual lever to the center auto position.
- At any time you can turn your valve on by turning the manual lever to the on position. This overrides your program. To return to normal program, turn manual lever to the center auto position.
- Always make sure that the battery compartment is clean and dry. If water should get on the batteries, immediately remove and wipe clean and spray with WD-40 or similar. KEEP BATTERY COMPARTMENT SECURELY CLOSED AT ALL TIMES.
- We strongly recommend brand name alkaline batteries such as Duracell or Eveready. Rechargeable batteries are not recommended.
- Battery life in DIG controllers is rated one to two years. As a reminder, tape to the batteries, the date of installation.
- Remove timer and store indoors when temperature is below 32°.
- Installation in valve boxes – Should the controller be installed in a valve box, the battery compartment must be sealed. To do this, use a neutral grease of any type such as Vaseline®, that should fill the entire battery compartment. Replace the cover firmly.

TROUBLESHOOTING AND MAINTENANCE

What to do if:

- Controller does not respond to programming.
 - Batteries are dead or improperly installed.
 - Manual lever is not set on auto (center) position.
- Valve fails to open.
 - Manual lever is in closed position.
 - Batteries are dead.
- Valve fails to operate correctly.
 - Puppet is missing or installed upside down (fails to close).
 - “O” ring #1 is missing (leaks).
 - Valve is installed in reverse direction (fails to close).
 - Bayonet mount thread may be loose (fails to close).
 - The two orifices in bayonet, under puppet, mount may be blocked with dirt. Remove puppet and clean (fails to close).
 - “O” Ring #2 missing (fails to close).
- During programming for delay start time, the clicks stop before reaching the required number of hours.
 - Replace batteries.

DIG CORPORATION 1 YEAR WARRANTY

DIG CORPORATION warrants these products to be free from defects in material and workmanship for a period of one year from date of purchase. This warranty does not cover damage resulting from accident, misuse, neglect, modification, improper installation or subjecting to line pressure in excess of 150 lbs. per square inch. This warranty shall extend only to the original purchaser of the product for use by the purchaser. This warranty shall not cover batteries or any malfunction of the product due to battery failure. The obligation of DIG CORPORATION under this warranty is limited to repairing or replacing at its factory this product which shall be returned to the factory within one year after the original purchase and which on examination is found to contain defects in material and workmanship.

DIG CORPORATION SHALL IN NO EVENT BE LIABLE FOR ANY INCIDENTAL OR CONSEQUENTIAL DAMAGES OF ANY KIND; THE SOLE OBLIGATION OF DIG BEING LIMITED TO REPAIR OR REPLACEMENT OF DEFECTIVE PRODUCTS. SOME STATES DO NOT ALLOW THE EXCLUSION OR LIMITATION OF INCIDENTAL OR CONSEQUENTIAL DAMAGES, SO THE ABOVE LIMITATION OR EXCLUSION MAY NOT APPLY TO YOU.

Unattended use for prolonged periods without inspection to verify proper operation is beyond the intended use of this product, and any damage resulting from such use shall not be the responsibility of DIG CORPORATION. There are no warranties which extend beyond the description on the face hereof. In the case of purchase of the product for use other than, for irrigation purposes, DIG CORPORATION hereby disclaims any implied warranties including any warranties of merchantability and fitness for a particular purpose. In the case of the purchase of the product for personal, family or household purposes, DIG CORPORATION disclaims any such warranties to the extent permitted by law. To the extent that any such disclaimer or implied warranties shall be ineffectual, then any implied warranties shall be limited in duration to a period of one year from the date of the original purchase for use by the purchaser. Some states do not allow limitation on how long an implied warranty lasts, so the above limitation may not apply to you.

In order to obtain performance under this warranty, the unit must be returned to the factory, along with proof of purchase indicating original date of purchase, shipping prepaid, addressed as follows:

DIG CORPORATION, 130 Bosstick Blvd., San Marcos, CA 92069. Repaired or replaced units will be shipped prepaid to the name and address supplied with the unit returned under warranty. Allow four weeks for repairs and shipping time. Repair of damaged units not otherwise within warranty may be refused or done at a reasonable cost or charge at the option of DIG CORPORATION.

This warranty gives you specific legal rights, and you may also have other rights which vary from state to state.

GALCON BATTERY POWERED CONTROLLER

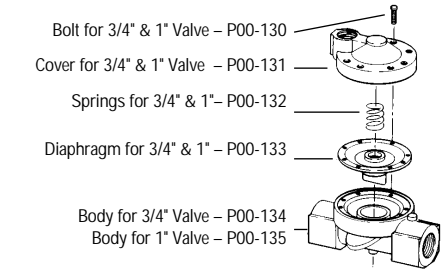


130 Bosstick Blvd., San Marcos, CA 92069

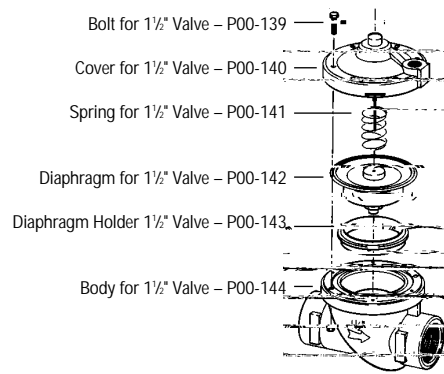


TO ORDER PARTS:

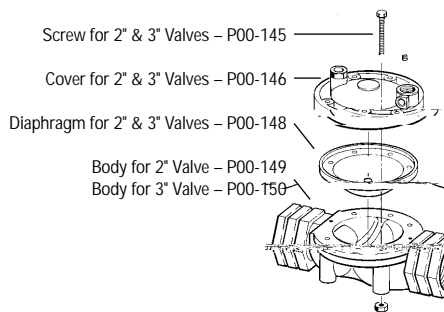
1-800-322-9146 FAX: 760-727-0282



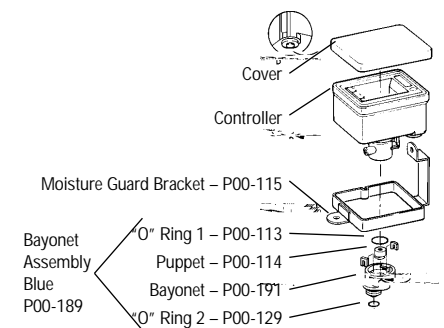
- Bolt for 3/4" & 1" Valve – P00-130
- Cover for 3/4" & 1" Valve – P00-131
- Springs for 3/4" & 1" – P00-132
- Diaphragm for 3/4" & 1" – P00-133
- Body for 3/4" Valve – P00-134
- Body for 1" Valve – P00-135



- Bolt for 1 1/2" Valve – P00-139
- Cover for 1 1/2" Valve – P00-140
- Spring for 1 1/2" Valve – P00-141
- Diaphragm for 1 1/2" Valve – P00-142
- Diaphragm Holder 1 1/2" Valve – P00-143
- Body for 1 1/2" Valve – P00-144



- Screw for 2" & 3" Valves – P00-145
- Cover for 2" & 3" Valves – P00-146
- Diaphragm for 2" & 3" Valves – P00-148
- Body for 2" Valve – P00-149
- Body for 3" Valve – P00-150



- Moisture Guard Bracket – P00-115
- Bayonet Assembly Blue P00-189
 - O" Ring 1 – P00-113
 - Puppet – P00-114
 - Bayonet – P00-191
 - O" Ring 2 – P00-129



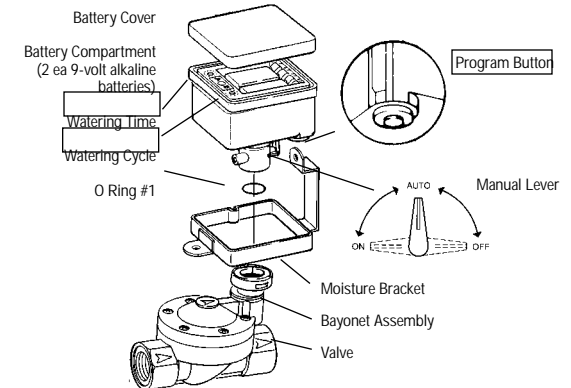
Battery Powered Electronic Controller OWNERS MANUAL

Model 210.000, 210.075 to 210.200 Option Plus™

INTRODUCTION

THANK YOU for purchasing DIG Battery Powered Electronic Controller. Please take the time to read through the enclosed instructions and follow them step by step. If you have any questions, please call our customer service line 1-800-344-6641.

KNOW YOUR CONTROLLER



Your Controller can be installed in line directly to PVC pipe fittings. (Inlet female pipe thread, outlet female pipe thread)

NOTE: Wrap all fittings with teflon tape. Do not use thread paste on valve as this will damage the valve and void your warranty.

NOTE: The controller can be mounted in any position. We recommend a short test cycle before attaching your lines to the outlet side.

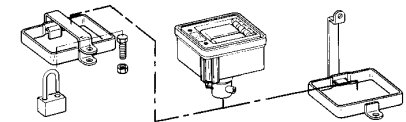
IMPORTANT: Make sure flow direction arrow is pointed away from water source. Never use the controller unit as a handle for tightening the valve to the pipe.

210-000 can convert most 3/4"-20 solenoids (make sure you install it with "O" ring #2).

INSTALLATION OF MOISTURE BRACKET

All controllers come equipped with a moisture bracket that must be used to prevent water damage.

If your installation is below grade in a valve box or in an area where sprinklers may impact control unit, secure the moisture bracket with a nut and bolt tightly. Bolt not included



If your installation may be subjected to vandalism you may substitute a padlock, provided it holds the bracket together tightly.

ASSEMBLY AND INSTALLATION

1. Remove controller from bayonet by turning a half turn counter clockwise. Install moisture guard bracket.
2. With bracket extension on the lower side reattach controller to bayonet by turning a half turn clockwise. (Make sure O ring #1 is not missing.)