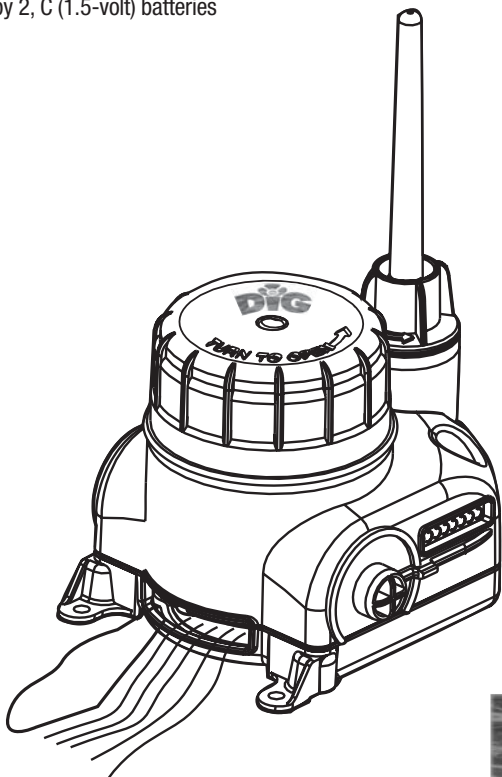


**Battery Operated
Radio Remote Controller**
Model 610.000 (1 station), 620.000 (2 stations)
and 640.000 (4 stations)

The 600 Series remote control handset and controller is a wireless system comprised of a mobile, battery operated remote handset commanding numerous controllers. Operating range between the remote control handset and the controllers is up to 300' line of sight.

Controller Features

- Waterproof
- Various models to operate 1, 2, and 4 valves including control valve for hydraulic fertilizer pump and an external sensor
- Models 620.000 and 640.000 include master valve
- Can be installed on a solenoid using the bracket (bracket included), or on a wall
- Adjustable antenna
- Powered by 2, C (1.5-volt) batteries



FCC COMPLIANCE

CAUTION: The user should make no field changes or modifications to the unit. Any change or modification to the equipment will void the user's authority to operate the unit, and render the equipment in violation of FCC part 15. Any tampering with this product will void the warranty.

This equipment has been tested and found to comply with the limits for a Class B digital device, pursuant to Part 15 of the FCC rules. These limits are designed to provide reasonable protection against harmful interference in a residential installation. This equipment generates, uses and can radiate radio frequency energy and, if not installed and used in accordance with the instructions, may cause harmful interference to radio communications. However, there is no guarantee that interference will not occur in a particular installation. If this equipment does cause harmful interference to radio or television reception, which can be determined by turning the equipment off and on, the user is encouraged to try to correct the interference by one or more of the following measures:

1. Reorient or relocate the receiving antenna
2. Increase the separation between the equipment and receiver
3. Connect the equipment to an outlet on a circuit different from that to which the receiver is connected
4. Consult the dealer or an experienced radio/TV technician.

This device complies with part 15 of the FCC rules. Operation is subject to the following two conditions: (1) this device may Not cause harmful interference, and (2) this device must accept any interference received, including interference that may cause undesired operation.

TABLE OF CONTENTS

1. Introduction	4
2. Getting to Know the Controller	4
3. Installation of the Controller	5
3.1 Connecting the Solenoid Wires to the Controller	5
3.2 Installation on a Wall	5
3.3 Installation on a Solenoid	6
3.4 Installation of the Batteries	6
4. Mounting Template	7
5. Warranty	8

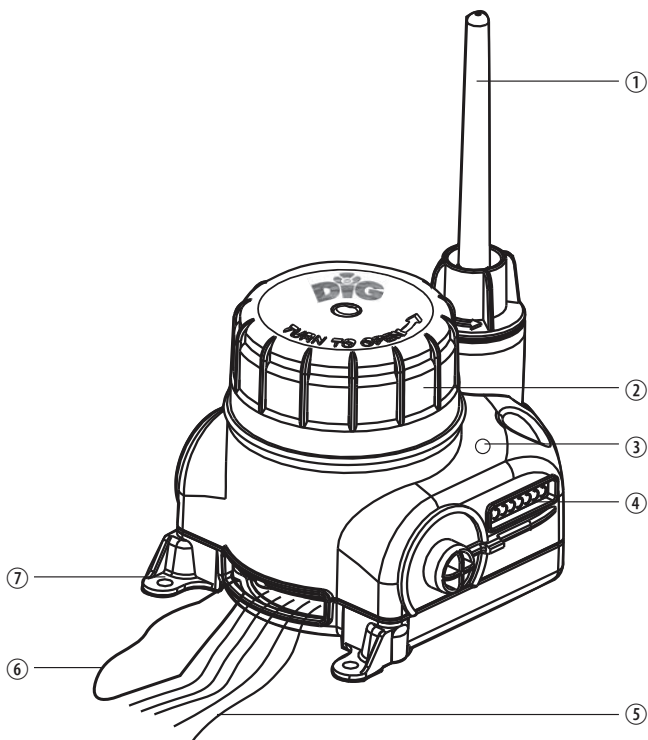
1. INTRODUCTION

Thank you for purchasing a DIG 600 Series battery operated controller. This manual is designed to help set up the 600 Series controller. After reading the manual and getting familiarized with the basic functionality of the device, use the manual as reference for less common tasks in the future.

Please take the time to read through the enclosed instructions and follow them step-by-step. If you have any questions, please call our customer service line 1-800-322-9146.

2. GETTING TO KNOW THE CONTROLLER

- 1) Antenna
- 2) Battery compartment cover
- 3) Control light
- 4) Identification number
- 5) Cables to connect solenoids
- 6) Looped sensor cable
- 7) Holes for attachment to the wall



3. INSTALLATION OF THE CONTROLLER

3.1 CONNECTING THE SOLENOID WIRES TO THE CONTROLLER

Connect the valves to the cables which emerge from the controller. Refer to the drawing and the instructions below.

Labeled cables emerge from the controller (1). A protective cover is attached to the end of each cable. Remove the cover before you connect the cable. These cables are compatible with DIG, DC type Model 337-XXX (3) irrigation valves.

The controller and its connections are waterproof. To maintain its impermeability, be sure to carry out the following instructions carefully:

- Do not remove the cover off a cable that will not be connected to a valve. Exposed wire strands may cause a short circuit upon contact between the strands or with conducting bodies.
- Connect the cables to the valves using waterproof connectors (2). The connectors are supplied with the product. Refer to the drawing.

1. Cut the protective cover off the cable which emerges from the controller (1) and expose the cable strands beneath the black insulating sleeve. The cables to the solenoid have 3 strands: white, red and black. Do not remove the colored insulation off the strands.
2. Connect each strand to a separate waterproof connector (2).
3. A cable with 3 strands emerges from each solenoid: white, red and black. Connect the white strand of the solenoid to the connector and onto the white strand of the cable that emerges from the controller. Connect the red and black strands in the same way. Refer to the drawing.
4. Connect the remaining controller cables to the cables of the solenoids, according to the number of valves in the system. Double check that the numbers of the valves correspond to the numbers marked on the controller cables.
5. Connecting a sensor. The sensor is connected to the looped cable. Cut the looped cable in the middle then connect the sensor wires to both sides of the cable.

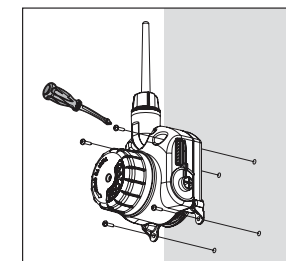
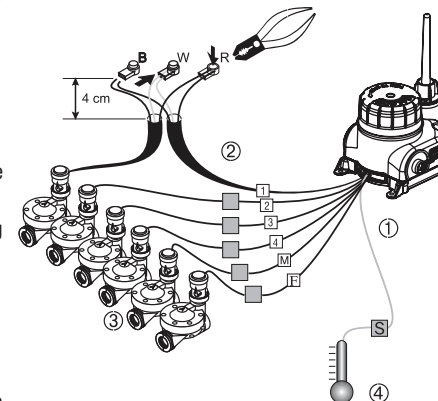
Note: Do not program a valve which is not connected with a waterproof connector. We recommend inserting the batteries after connecting the solenoids.

3.2 INSTALLATION ON A WALL

Mount the controller on the wall using screws. Refer to drawing.

Make sure that the antenna is vertical.

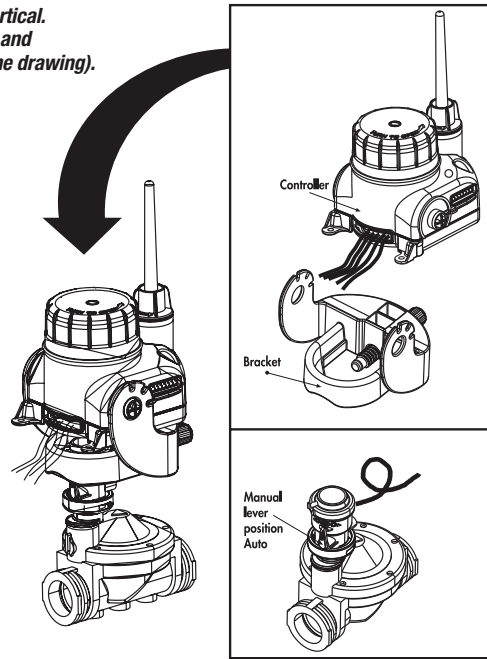
A scaled template is available on page 6. We suggest making a copy of the template to determine position on the wall and placement of screw holes.



3.3 INSTALLATION ON A SOLENOID

Join the bracket onto the controller. Tighten the bracket using the bolt.

Make sure that the antenna is vertical.
Note the direction of the bracket and solenoid manual lever (refer to the drawing).



3.4 INSTALLATION OF THE BATTERIES

1. Insert the batteries 2, C (1.4-volt) according to the figure. Make sure that the batteries are inserted in the correct direction of polarity (+/-).

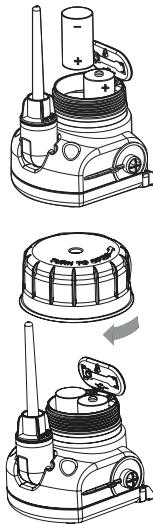
We recommend using high quality alkaline batteries.

2. Close the cover of the battery compartment tightly by hand, up to the end of the thread. Do not use a spanner.

3. Wait for 2-3 seconds after closing the cover. The control light will blink 4 times to confirm that the batteries are inserted correctly.

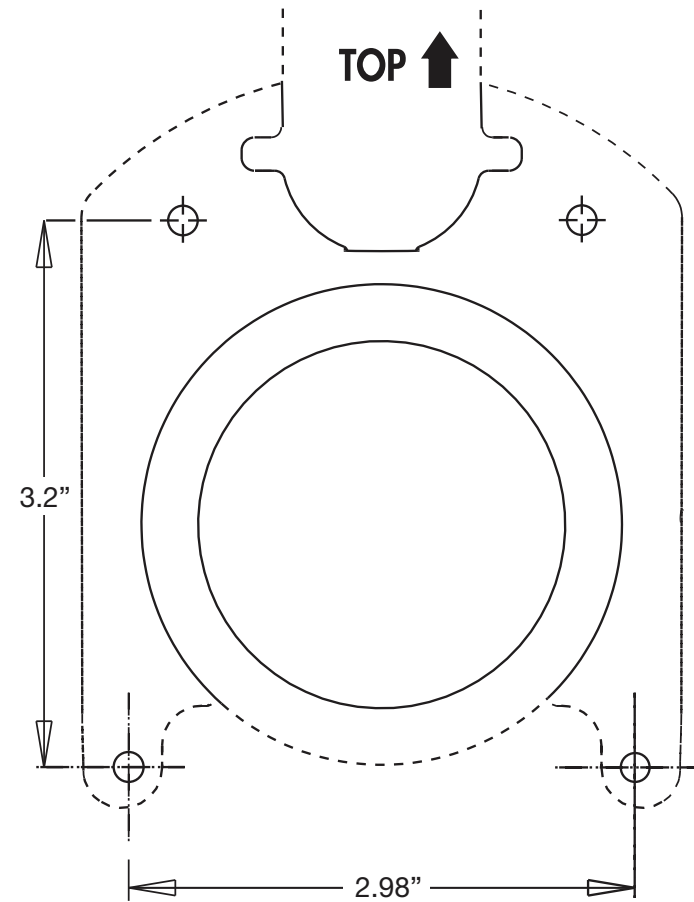
Wait for 1-2 minutes after the installation of the batteries. The controller performs an initial closing of the valves. The light blinks every time a valve is closed.

When batteries are changed, the program remains in memory but the valve opening time needs to be reset.



4. MOUNTING TEMPLATE

1:1 Ratio drawing for planning wall attachment (see page 5).



5. WARRANTY

DIG CORPORATION warrants these products to be free from defects in material and workmanship for a period of three years from date of purchase. This warranty does not cover damage resulting from accident, misuse, neglect, modification or improper installation. This warranty shall extend only to the original purchaser of the product for use by the purchaser. This warranty shall not cover batteries or any malfunction of the product due to battery failure. The obligation of DIG CORPORATION under this warranty is limited to repairing or replacing at its factory this product which shall be returned to the factory within three years after the original purchase and which on examination is found to contain defects in material and workmanship.

DIG CORPORATION SHALL IN NO EVENT BE LIABLE FOR ANY INCIDENTAL OR CONSEQUENTIAL DAMAGES OF ANY KIND; THE SOLE OBLIGATION OF DIG BEING LIMITED TO REPAIR OR REPLACEMENT OF DEFECTIVE PRODUCTS. SOME STATES DO NOT ALLOW THE EXCLUSION OR LIMITATION OF INCIDENTAL OR CONSEQUENTIAL DAMAGES, SO THE ABOVE LIMITATION OR EXCLUSION MAY NOT APPLY TO YOU.

Unattended use for prolonged periods without inspection to verify proper operation is beyond the intended use of this product, and any damage resulting from such use shall not be the responsibility of DIG CORPORATION. There are no warranties which extend beyond the description on the face hereof. In the case of purchase of the product for use other than, for irrigation purposes, DIG CORPORATION hereby disclaims any implied warranties including any warranties of merchantability and fitness for a particular purpose. In the case of the purchase of the product for personal, family or household purposes, DIG CORPORATION disclaims any such warranties to the extent permitted by law. To the extent that any such disclaimer or implied warranties shall be ineffectual, then any implied warranties shall be limited in duration to a period of three years from the date of the original purchase for use by the purchaser. Some states do not allow limitation on how long an implied warranty lasts, so the above limitation may not apply to you.

In order to obtain performance under this warranty, the unit must be returned to the factory, along with proof of purchase indicating original date of purchase, shipping prepaid, addressed as follows: DIG CORPORATION, 1210 Activity Drive, Vista, CA 92081-8510. Repaired or replaced units will be shipped prepaid to the name and address supplied with the unit returned under warranty. Allow four weeks for repairs and shipping time. Repair of damaged units not otherwise within warranty may be refused or done at a reasonable cost or charge at the option of DIG CORPORATION.

This warranty gives you specific legal rights, and you may also have other rights which vary from state to state.

CUSTOMER SERVICE:

1-800-322-9146 FAX: 760-727-0282



1210 Activity Drive
Vista, CA 92081-8510, USA

Website:
<http://www.digcorp.com>
e-mail: dig@digcorp.com

070306 DIG CORP 26-051
Printed in the USA

