



Sprinkler thinker®

Battery Powered Electronic Controller

OWNERS MANUAL

2007 – Deluxe Programmable 3/4" In Line & Hose Mount

INTRODUCTION

THANK YOU for purchasing DIG Battery Powered Electronic Controller. Please take the time to read through the enclosed instructions and follow them step by step. If you have any questions, please call our customer service line 1-800-344-2281.

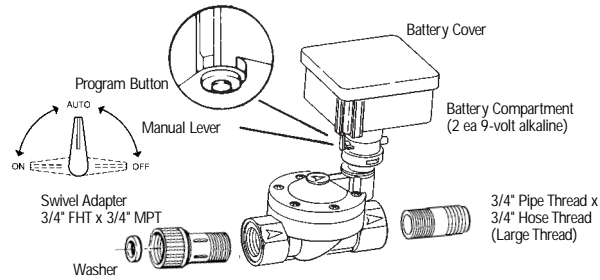
Once installed your DIG Controller will give you years of dependable worry-free operation.

ASSEMBLY

Your 2007 can be installed in line directly to PVC pipe fittings. (Inlet 3/4" female pipe thread, outlet 3/4" female pipe thread)

OR:

Your 2007 can be attached to a hose or faucet using the hose-to-pipe thread swivel adaptor (fit to the inlet side) and the male hose-to-pipe thread adaptor (fit to the outlet side).



NOTE: Wrap all fittings with teflon tape. Do not use pipe cement on valve as this will damage the valve and void your warranty.

NOTE: The 2007 can be mounted in any position. We recommend a short test cycle before attaching your lines to the outlet side.

IMPORTANT: Make sure flow direction arrow is pointed away from water source.

If vacuum breaker or antisiphon device is part of your city code, install the device after the 2007 assembly.

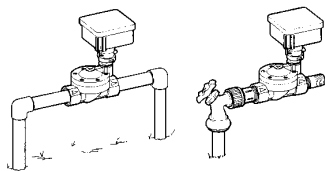


INSTALLATION

1. Shut off main water supply.
2. Install 2007 directly to pipe or with swivel adaptor to faucet. (Make sure manual lever is in auto center position).

3. Turn water supply on.
NOTE: Make sure when you wrap fittings with teflon tape, that no excess gets into internal assembly.

NOTE: When you turn water supply on your 2007 will open momentarily.



Pipe Installation

Faucet Installation

PROGRAMMING

1. Insert two fully charged 9 volt alkaline batteries (Note + and – symbols). Rotary dial (located in battery compartment) must be on 0. Wait for 30 sec. Do not press the programming button during this 30 seconds.
2. At the time of day that you would like to start water, press the button once. You will hear a click and the valve will turn on.
3. Leave the system on for desired duration, then press the same button. You will hear another click and the valve will shut. You have now programmed the start time and duration of watering.
4. After you have programmed your start and duration of watering, choose the watering frequency by turning the dial with the orange screwdriver to selected position.



WATERING FREQUENCY TABLE

DIAL POSITION	TIME BETWEEN WATERING	DIAL POSITION	TIME BETWEEN WATERING
0	Programming (only used when setting length of watering).	8	Flow occurs once every 3 days
1	Flow occurs once every 45 min.	9	Flow occurs once every 4 days
2	Flow occurs once every 1.5 hours	A	Flow occurs once every 5 days
3	Flow occurs once every 3 hours	B	Flow occurs once every 6 days
4	Flow occurs once every 6 hours	C	Flow occurs once every 7 days
5	Flow occurs once every 12 hours	D	Flow occurs once every 10 days
6	Flow occurs once every day	E	Flow occurs once every 14 days
7	Flow occurs once every 2 days	F	Flow occurs once every 21 days

Make sure that the cover is tightened firmly in place to prevent water damage.

NOTE: We recommend an annual application of water repellent silicone or WD-40 to the battery contacts.

YOUR CONTROLLER IS NOW PROGRAMMED.

To change watering frequency, simply turn dial to new position.

NOTE: We recommend making sure your batteries are fully charged before leaving the controller unattended for long periods.

HELPFUL HINTS & ADDITIONAL INFORMATION

1. You may get a manual cycle at any time by pressing the program button once. Your valve(s) will operate one time for the length of time you have programmed and then go back to the normal program.
2. To change complete program, remove batteries for 30 seconds. Return dial to 0, replace batteries and reprogram.
3. You may change the watering frequency by turning the dial at any time without disturbing your start time or duration programs.
4. If you are not using your DIG controller for long periods of time, remove batteries and replace cover securely. When you replace batteries, you will have to reprogram.
5. All DIG controllers can be programmed in the comfort of your home or office and installed at a later date. No water pressure is required.
6. At any time you can shut your valve by turning the manual lever to the off position. This does not interfere with your program. To return to normal program, turn manual lever to the center auto position.
7. At any time you can turn your valve on by turning the manual lever to the on position. This does not interfere with your program. To return to normal program, turn manual lever to the center auto position.
8. Always make sure that the battery compartment is clean and dry. If water should get on the batteries, immediately remove and wipe clean. KEEP BATTERY COMPARTMENT SECURELY CLOSED AT ALL TIMES.
9. We strongly recommend brand name alkaline batteries such as Duracell or Eveready. Rechargeable batteries are not recommended.
10. Battery life in DIG controllers is rated one to two years. As a reminder, tape to the batteries, the date of installation.
11. Remove timer and store indoors when temperature is below 32°.

TROUBLESHOOTING AND MAINTENANCE

What to do if:

1. Controller does not respond to programming.
 - A. Batteries are dead or improperly installed.
 - B. Manual lever is not set on auto (center) position.
 - C. Dial was not on 0 when beginning programming.
2. Valve fails to open.
 - A. Manual lever is in closed position.
 - B. Batteries are dead.
3. Valve fails to operate correctly.
 - A. Puppet is missing or installed upside down (fails to close).
 - B. "O" ring #1 is missing (leaks).
 - C. Valve is installed in reverse direction (fails to close).
 - D. Bayonet mount thread may be loose (fails to close).
 - E. The two orifices in bayonet, under puppet, mount may be blocked with dirt. Remove puppet and clean (fails to close).
 - F. "O" Ring #2 missing (fails to close).

DIG CORPORATION 1 YEAR WARRANTY

DIG CORPORATION warrants these products to be free from defects in material and workmanship for a period of one year from date of purchase. This warranty does not cover damage resulting from accident, misuse, neglect, modification, improper installation or subjection to line pressure in excess of 150 lbs. per square inch. This warranty shall extend only to the original purchaser of the product for use by the purchaser. This warranty shall not cover batteries or any malfunction of the product due to battery failure. The obligation of DIG CORPORATION under this warranty is limited to repairing or replacing at its factory this product which shall be returned to the factory within one year after the original purchase and which on examination is found to contain defects in material and workmanship.

DIG CORPORATION SHALL IN NO EVENT BE LIABLE FOR ANY INCIDENTAL OR CONSEQUENTIAL DAMAGES OF ANY KIND; THE SOLE OBLIGATION OF DIG BEING LIMITED TO REPAIR OR REPLACEMENT OF DEFECTIVE PRODUCTS. SOME STATES DO NOT ALLOW THE EXCLUSION OR LIMITATION OF INCIDENTAL OR CONSEQUENTIAL DAMAGES, SO THE ABOVE LIMITATION OR EXCLUSION MAY NOT APPLY TO YOU.

Unattended use for prolonged periods without inspection to verify proper operation is beyond the intended use of this product, and any damage resulting from such use shall not be the responsibility of DIG CORPORATION. There are no warranties which extend beyond the description on the face hereof. In the case of purchase of the product for use other than, for irrigation purposes, DIG CORPORATION hereby disclaims any implied warranties including any warranties of merchantability and fitness for a particular purpose. In the case of the purchase of the product for personal, family or household purposes, DIG CORPORATION disclaims any such warranties to the extent permitted by law. To the extent that any such disclaimer or implied warranties shall be ineffectual, then any implied warranties shall be limited in duration to a period of one year from the date of the original purchase for use by the purchaser. Some states do not allow limitation on how long an implied warranty lasts, so the above limitation may not apply to you.

In order to obtain performance under this warranty, the unit must be returned to the factory, along with proof of purchase indicating original date of purchase, shipping prepaid, addressed as follows:

DIG CORPORATION, 130 Bosstick Blvd., San Marcos, CA 92069. Repaired or replaced units will be shipped prepaid to the name and address supplied with the unit returned under warranty. Allow four weeks for repairs and shipping time. Repair of damaged units not otherwise within warranty may be refused or done at a reasonable cost or charge at the option of DIG CORPORATION.

This warranty gives you specific legal rights, and you may also have other rights which vary from state to state.

© 1995 DIG Corp. Form 26-019

TO ORDER PARTS:

1-800-344-2281 FAX: 760-727-0282

We at DIG Corporation understand that most dealers do not carry spare parts. For your convenience, if you need one of these parts, order here.

Parts will be sent within 15 days.

For faster service, you may call DIG's customer service number 1-800-322-9146 and parts can be shipped immediately.

All phone orders will have an added C.O.D. charge.

Make checks payable to Dig Corporation.

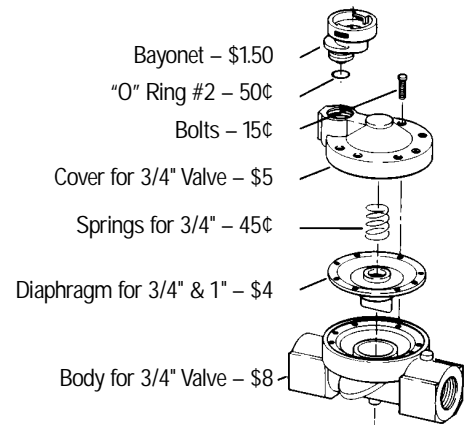
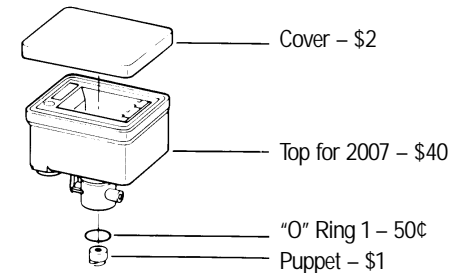
Choose correct part and circle.

Add total dollar value \$ _____

Add \$1.50 for shipping and handling \$ 1.50 _____

California residents add sales tax \$ _____

TOTAL \$ _____



130 Bosstick Blvd., San Marcos, CA 92069

