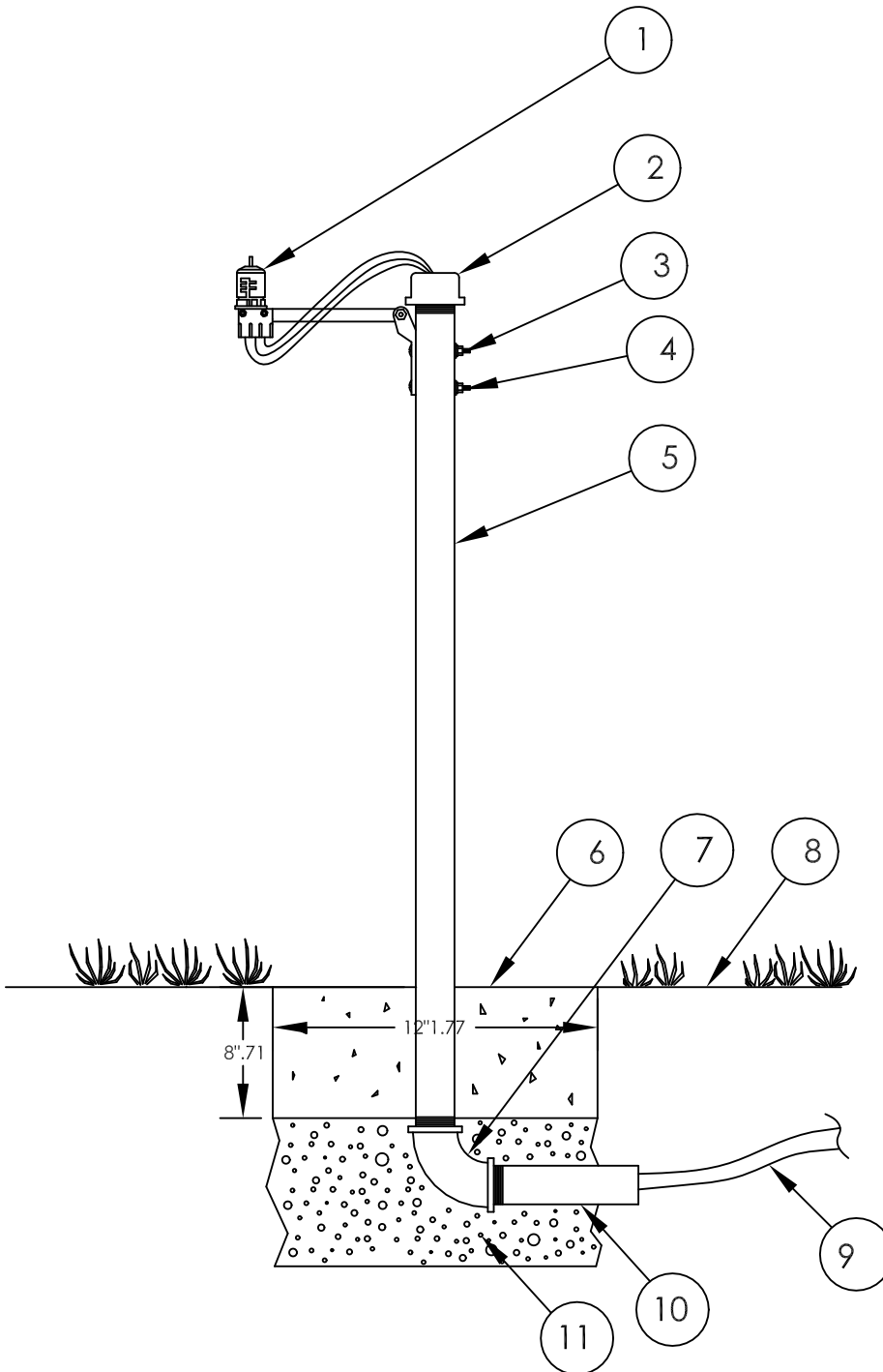


LEGEND

- ① "MINI CLIK" RAIN SENSOR (OR EQUAL)
- ② DIG PLASTIC PIPE CAP 1" CAP PART No. 23-001 WITH HOLE FOR WIRES.
- ③ DRILL TWO 3/16 HOLES IN PIPE FOR SENSOR BRACKET.
- ④ (2) #8-32 MACHINE SCREWS WITH WASHER, LOCK WASHER AND NUT.
- ⑤ 1" GALVANIZED PIPE 25 TO 50 INCHES HIGH.
- ⑥ 12" X 12" CONCRETE BASE 8" DEEP MINIMUM.
- ⑦ 1" PIPE ELBOW.
- ⑧ FINISH GRADE.
- ⑨ CONNECT TO SENSOR WIRE FROM THE LEIT 2.
- ⑩ 1" NIPPLE.
- ⑪ GRAVEL.



⑥ RAIN SENSOR ASSEMBLY
COLUMN MOUNTED