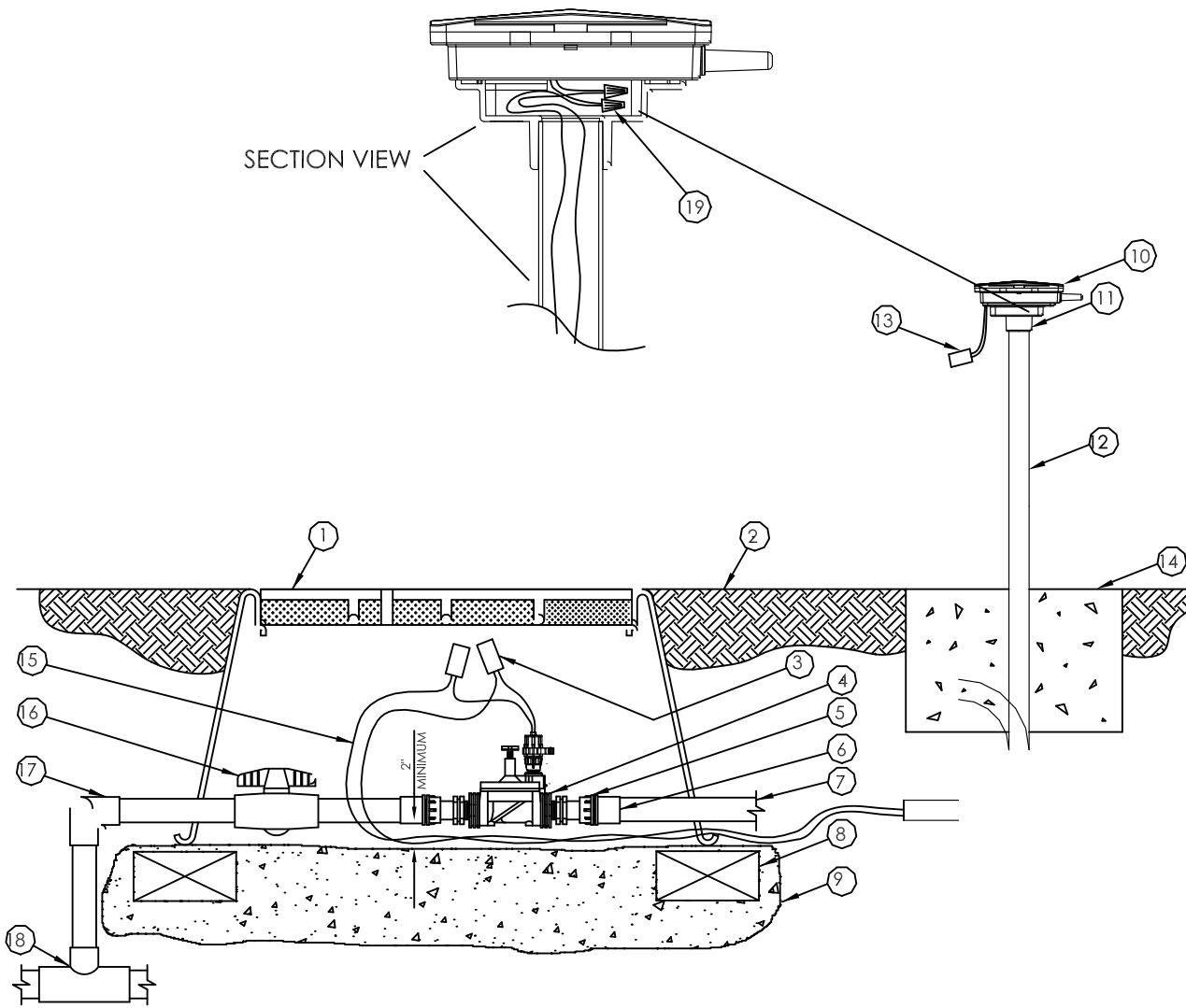


LEGEND

- ① VALVE BOX WITH COVER 18" SIZE.
- ② FINISH GRADE
- ③ DRY SPLICE CONNECTORS
- ④ DIG VALVE MODEL (3/4") 305DC - 075 (1") 305DC-100
- ⑤ SWIVEL FITTING DIG MODEL (3/4") 23-004 (1") 23-003.
- ⑥ PVC SCH 40 MALE ADAPTER.
- ⑦ PVC LATERAL LINE.
- ⑧ BRICK SUPPORT AT EACH CORNER.
- ⑨ PEA GRAVEL SUMP - MINIMUM 3".
- ⑩ LEIT 2 ET CONTROLLER
- ⑪ LEIT 2 ET MOUNTING COLUMN PLASTIC ATTACHMENT WITH 4 SCREWS
- ⑫ LEIT 2 ET GALVANIZED MOUNTING COLUMN 25" TO 50"
- ⑬ DRY SPLICE CONNECTOR ATTACHED TO YELLOW SENSOR WIRES
- ⑭ POURED CONCRETE BASE PER MANUFACTURERS INSTALLATION GUIDE
- ⑮ 14 OR 18 GAUGE WIRE.
- ⑯ BACK-UP NPT PVC BALL VALVE.
- ⑰ PVC SCH 40 ELBOW
- ⑱ SCH 40 TEE.
- ⑲ WATERPROOF WIRE NUTS



2

LEIT-2 ET COLUMN MOUNTING INSTALLATION  
WITH 305DC REMOTE CONTROL VALVE